

DRINKS | Drink Cabinets

DRINK COOLER | UPRIGHT COOLERS | BLACK PAINTED | WITH CANOPY

TKG 1000CB

CUSTOMIZATION AVAILABLE
PERSONALIZZAZIONE DISPONIBILE

50 mm	K1	+0°C +7°C	F ENERGY CLASS	CC2	+32°C 65RH
LED					GAS R290

DETAILS

Digital Thermostat	Door handle	LED lights integrated in the door frame (Yellow light)



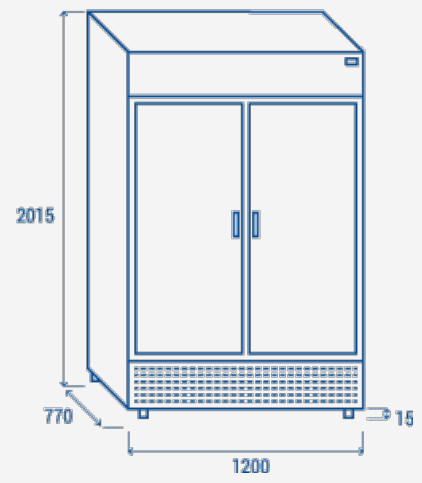
GENERAL FEATURES

- 1050 Lt. Upright drink cooler with advertising panel
- Black coated steel for internal and external side
- Ventilated Cooling
- Automatic compressor cycle defrost
- Foaming Agent Cyclopentane (50mm per side - CFC Free)
- Digital Thermostat
- Removable Gasket
- Adjustable shelves: 4 Pcs
- Self closing door and lock fitted as a standard
- Double layer safety tempered glass
- External aluminium square handle
- LED lights integrated in the door frame (Yellow light)
- Independent light switches for inner light
- N.2 Adjustable feet + N.2 Rollers at the back
- Energy efficiency class: F

TECHNICAL SPECIFICATIONS

External Dimensions (WxDxH mm)	1200x770x2030
Internal Dimensions (WxDxH mm)	1091x677x1573
Noise level	58 dB(A)
Consumption	6.8 kWh/24h
Capacity	1200 L
Rated Power	890 W
Net Weight	184 Kg
Temperature	K1 (0°C-+7°C)
Gross Weight	199 Kg
Packaging dimensions (WxDxH mm)	1260x840x2140
Loading quantities 20'/40'/40'HQ	11/23/23

PRODUCT DIMENSIONS



CERTIFICATION

CE RoHS