

DRINKS | Positive Chestfreezers

COOLER | CANS COOLER

HP 80

CUSTOMIZATION AVAILABLE
PERSONALIZZAZIONE DISPONIBILE

60 mm | M2 | -1°C / +7°C | ENERGY CLASS B | 3 | +25°C/60RH
 new 2020 | Fan icon | Water icon | Wave icon | GAS R600a

DETAILS

Temperated glass top | Basket included | Inner assistance fan | Wheels for easy positioning



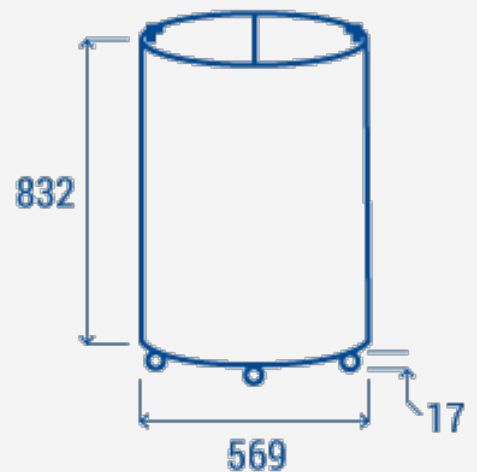
GENERAL FEATURES

- 80 Lt. Cans cooler with glass top
- External in black coated plate, grey painted steel internally
- Static cooling with fan assisted cooling
- Manual Defrost
- Defrost water drain
- Foaming Agent Cyclopentane (60mm per side)
- Handle along door profile
- Single temperated safety glass
- Basket included (N.1 Pcs)
- Basket capacity: 66 cans
- N.4 Castor (N.1 in the front with brake)
- Energy efficiency class: B

TECHNICAL SPECIFICATIONS

External Dimensions (WxDxH mm)	569x569x849
Internal Dimensions (WxDxH mm)	458x458x490
Noise level	0 dB(A)
Consumption	0.67 kWh/24h
Capacity	77 L
Rated Power	85 W
Net Weight	29 Kg
Temperature	M2 (-1°C-+7°C)
Gross Weight	34 Kg
Packaging dimensions (WxDxH mm)	585x585x880
Loading quantities 20'/40'/40'HQ	80/160/240

PRODUCT DIMENSIONS



CERTIFICATION

CE RoHS